

Installation Instructions:

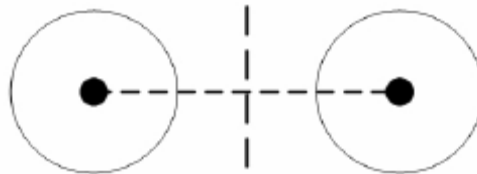
Garage Door Motor Isolator Kit



(Steps 1-3 needed only if you adding the GMI garage door motor isolator clips to an already existing garage door opener system)

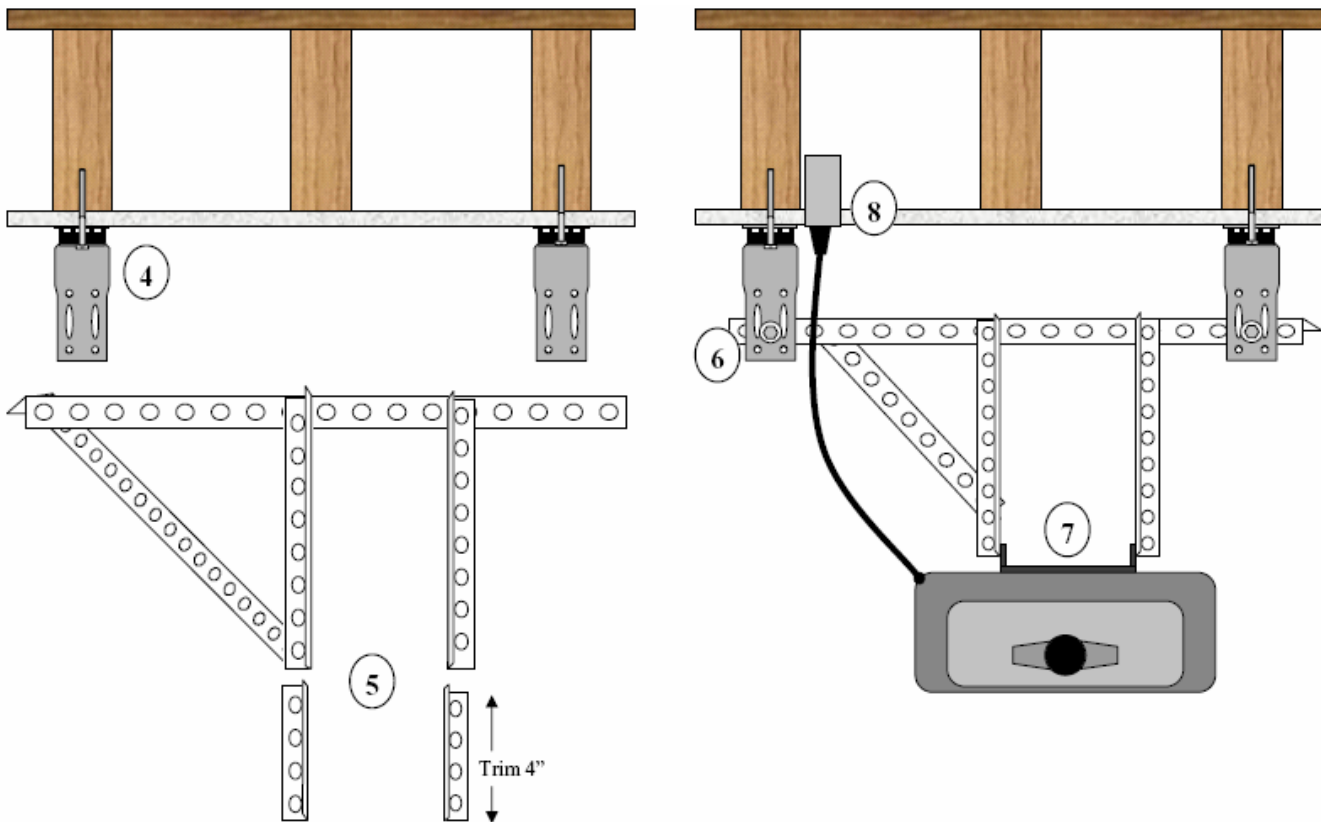
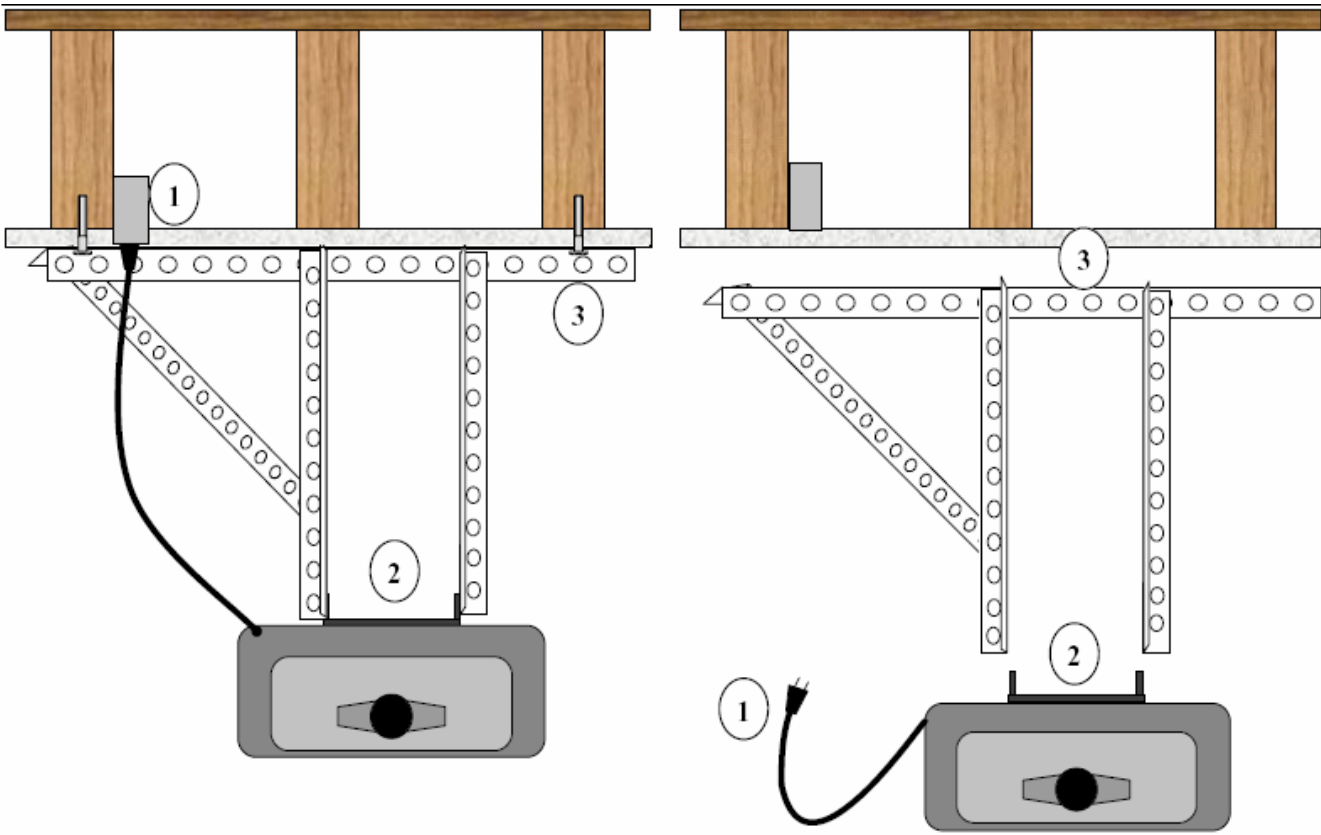
1. Disconnect power from garage door opener motor.
2. Disconnect metal brackets from the existing garage door opener motor. (Support garage door opener motor with ladder).
3. Disconnect metal brackets from ceiling.
4. Install GARAGE DOOR MOTOR ISOLATOR using the 1-1/2 in. flat washers and the 3 in. hex head screws (screws need to be installed into the joist).
5. Trim 4 in. from the bottom of the metal support brackets to compensate for the 4 in. additional space that the GMI added.
6. Bolt the metal brackets from step 2 to the GMI isolators using the 3/4 in. bolt, 3/4 in. flat washers, and the 7/16 in. nyloc nut.
7. Reinstall the garage door opener motor to the metal brackets using the original hardware.
8. Plug in your garage door opener motor.

Guide for fasteners



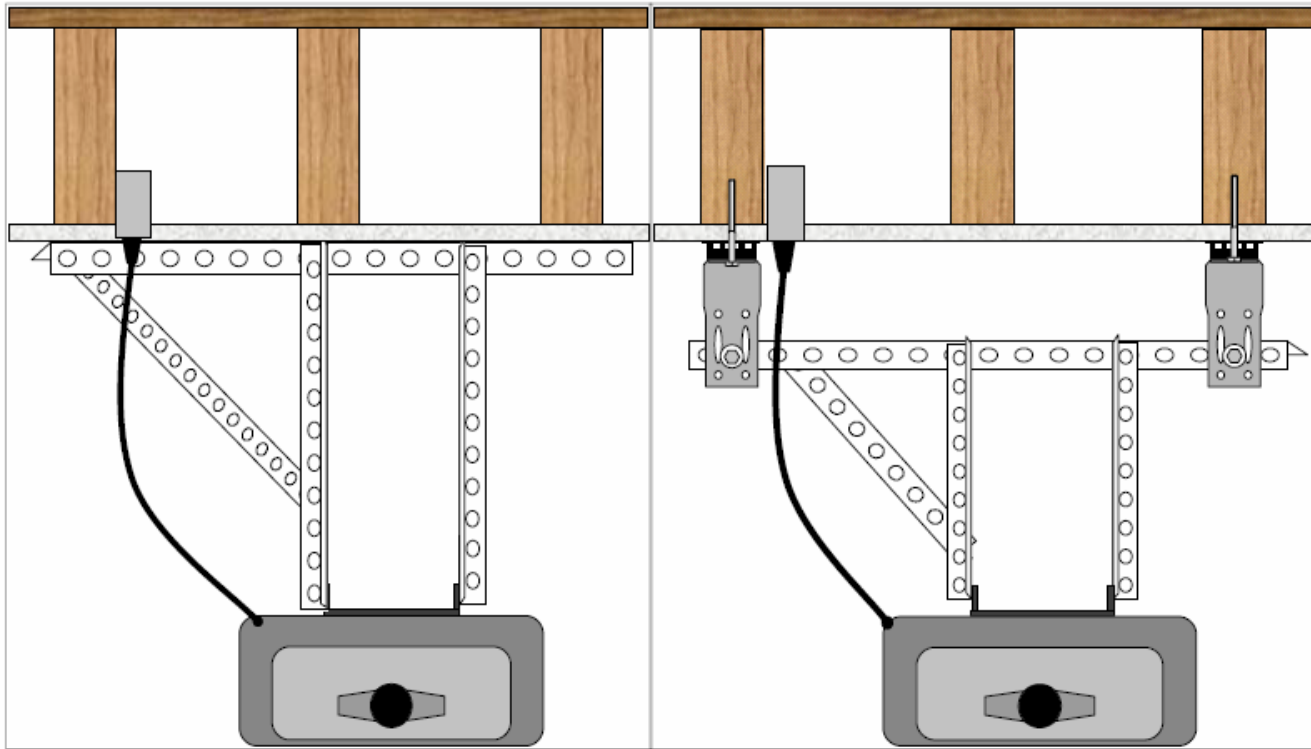
Garage Door Motor Isolator Kit





Garage door motor before kit installation

Garage door motor after kit installation



Garage Door Motor Isolator Kit

